

CSL Elite Pedals V2



Manual

To get the most out of your CSL Elite Pedals V2, please read this manual before first use. It contains important health and safety information and should be retained for future reference.

Index

1. General
2. Compatibility
3. Package Contents
4. Assembly & Setup
 - 4.1 Plan Your Setup
 - 4.2 Pedal Module Adjustment
 - 4.3 Hard-Mount

- 4.4 Drilling Template
- 4.5 Brake Tuning Options
- 4.6 Pedal Plate Covers
- 4.7 Connections
- 4.8 Tuning Options
- 5. Cleaning & Maintenance
- 6. Troubleshooting
- 7. Video Manual
- 8. Serial Number
- 9. Trademarks
- 10. Product Recycling
- 11. Compliance
- 12. Warranty

WARNING!

Photosensitive Seizures

A small percentage of people may experience a seizure when exposed to certain visual images, including flashing lights or patterns that may appear in video games. Even people who have no history of seizures or epilepsy may have an undiagnosed condition that can cause these “photosensitive epileptic seizures” while watching video games. These seizures may have a variety of symptoms, including light-headedness, altered vision, eye or face twitching, jerking or shaking of arms or legs, disorientation, confusion, or momentary loss of awareness. Seizures may also cause loss of consciousness or convulsions that can lead to injury from falling down or striking nearby objects. Immediately stop playing and consult a doctor if you experience any of these symptoms. Parents should watch for or ask their children about the above symptoms – children and teenagers are more likely than adults to experience these seizures. The risk of photosensitive epileptic seizures may be reduced by taking the following precautions:

- Sit farther from the TV screen.
- Use a smaller TV screen.
- Play in a well-lit room.
- Do not play when you are drowsy or fatigued.

If you or any of your relatives have a history of seizures or epilepsy, consult a doctor before playing.

WARNING!

Musculoskeletal disorders

Use of game controllers, keyboards, mice, or other electronic input devices may be linked to serious injuries or disorders. When playing video games, as with many activities, you may experience occasional discomfort in your hands, arms, shoulders, neck, or other parts of your body. However, if you experience symptoms such as persistent or recurring discomfort, pain,

throbbing, aching, tingling, numbness, burning sensation, or stiffness, DO NOT IGNORE THESE WARNING SIGNS. PROMPTLY SEE A QUALIFIED HEALTH PROFESSIONAL, even if symptoms occur when you are not playing a video game. Symptoms such as these can be associated with painful and sometimes permanently disabling injuries or disorders of the nerves, muscles, tendons, blood vessels, and other parts of the body. These musculoskeletal disorders (MSDs) include carpal tunnel syndrome, tendonitis, tenosynovitis, vibration syndromes, and other conditions.

While researchers are not yet able to answer many questions about MSDs, there is general agreement that many factors may be linked to their occurrence, including medical and physical conditions, stress and how one copes with it, overall health, and how a person positions and uses their body during work and other activities (including playing a video game). Some studies suggest that the amount of time a person performs an activity may also be a factor. If you have questions about how your own lifestyle, activities, or medical or physical condition may be related to MSDs, see a qualified health professional.

1. GENERAL

ATTENTION!

- The device must not be exposed to rain or humidity in order to avoid risk of fire and / or electric shock.
- Operating room temperature: 15°C - 35°C
- Excessive use may cause health risks. We recommend taking a 5 minute break after every 20 minutes of use, and to not drive for more than 2 hours per day.
- We strongly advise you to not drive a vehicle immediately after using a video game.
- Not intended for children under the age of 6 years old. Contains small pieces which pose a choking hazard!
- Do not open the casing of the device.
- This device contains components that cannot be repaired by the user, opening will void the warranty

WARNING! Electrical Safety:

The CSL Elite Pedals V2 must be connected to the appropriate wheel base port or PC USB port:

- If the CSL Elite Pedals V2 becomes damaged in any way, stop usage immediately and contact Fanatec® Customer Support: <https://help.fanatec.com/hc/en-us>
- All specifications in this document are subject to change. The PC driver and firmware of this product may be updated to implement new features or general improvements.
- This manual discusses assembly, connections, and functions related to Fanatec® devices and other additional devices. This is not a replacement manual for the other corresponding products! Read the quick guides or user manuals for the other products!
- The warranty does not include defects that are due to commercial use of the product. See chapter "Warranty" at the end of this user manual as well as the Terms & Conditions on fanatec.com for more details.

2. COMPATIBILITY

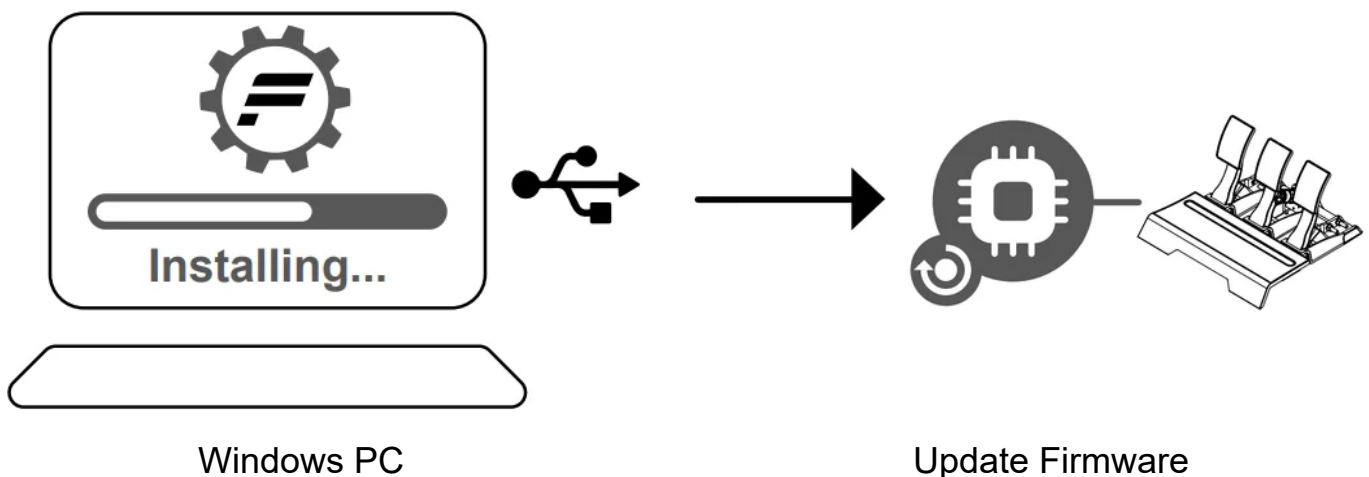
The CSL Elite Pedals V2 is compatible with all wheel bases featuring a dedicated RJ12 'PEDAL' port as well as standalone on a PC when connected via USB.

NOTE: Use only the included RJ12 and USB cables to ensure the correct functionality and prevent damage.

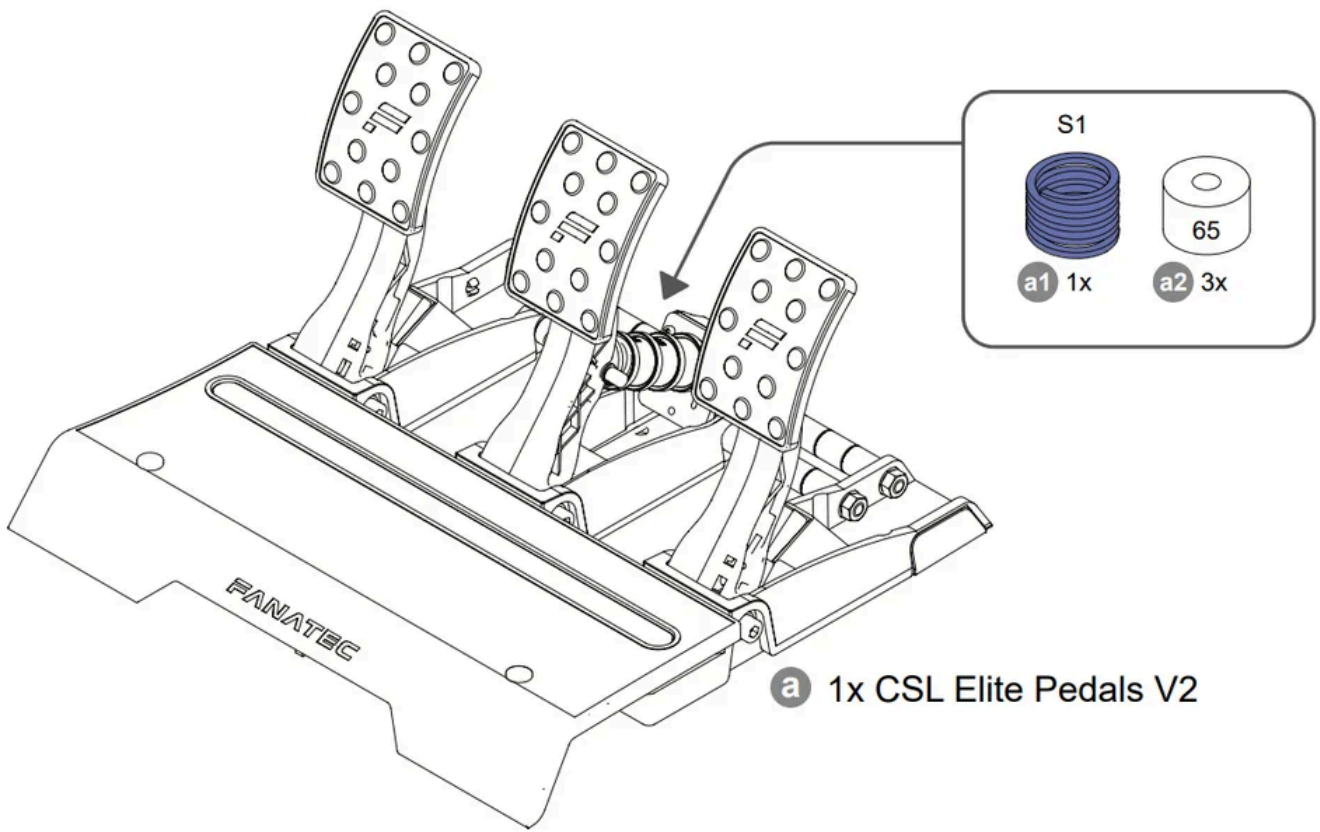
IMPORTANT: We always recommend updating your Fanatec® devices to the latest firmware versions. A Windows PC is required to perform firmware updates. Download the latest PC driver containing the latest firmwares.



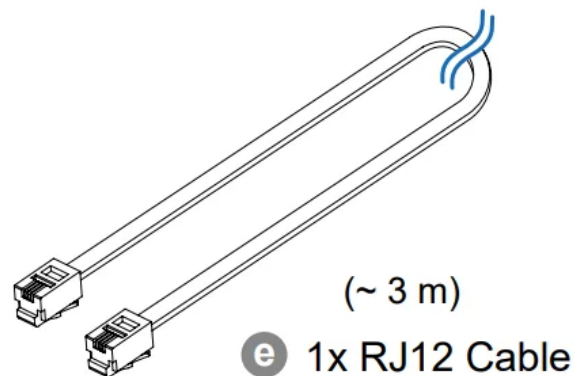
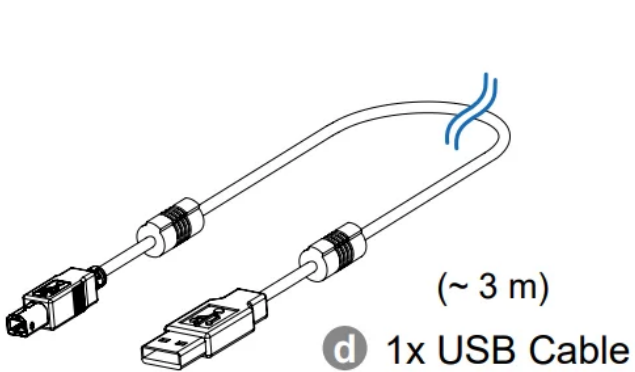
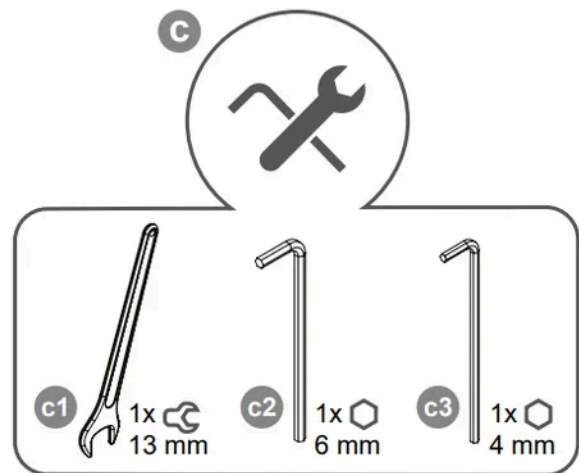
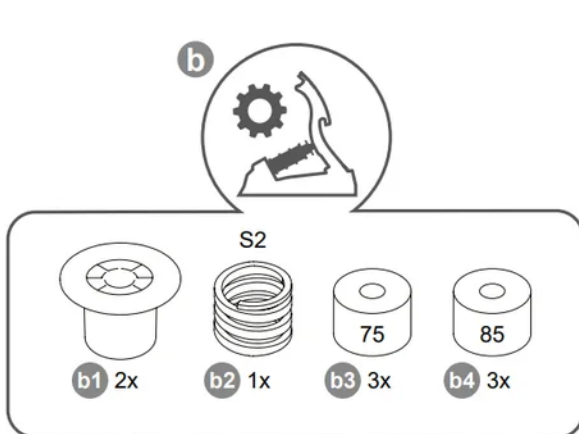
<https://www.fanatec.com/s/download-apps-driver>



3. PACKAGE CONTENTS



a) 1x CSL Elite Pedals V2



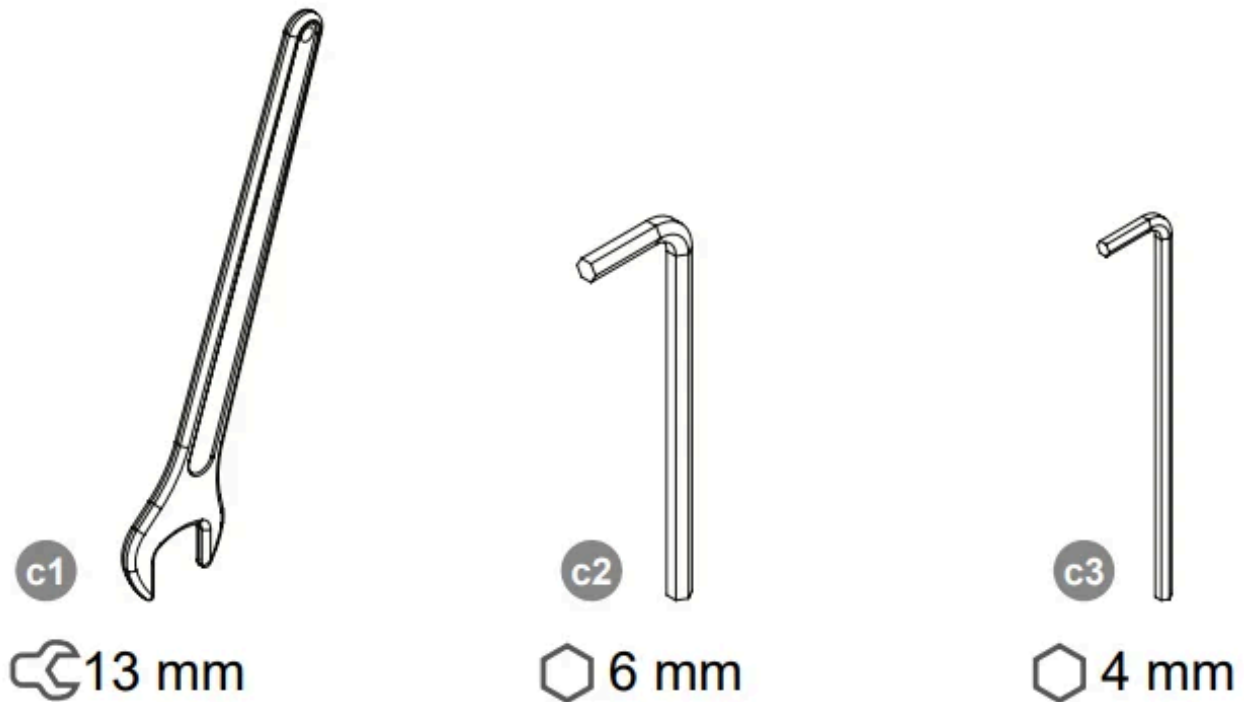
4. ASSEMBLY & SETUP

4.1 PLAN YOUR SETUP

To get started with using the CSL Elite Pedals V2, decide on your preferred pedal unit positions and if you will hard-mount the pedals to a surface. Connect the CSL Elite Pedals V2 to your wheel base via the included RJ12 cable or to a PC via USB. It is important to follow the chapter sequence of this manual for an effective assembly and setup procedure.

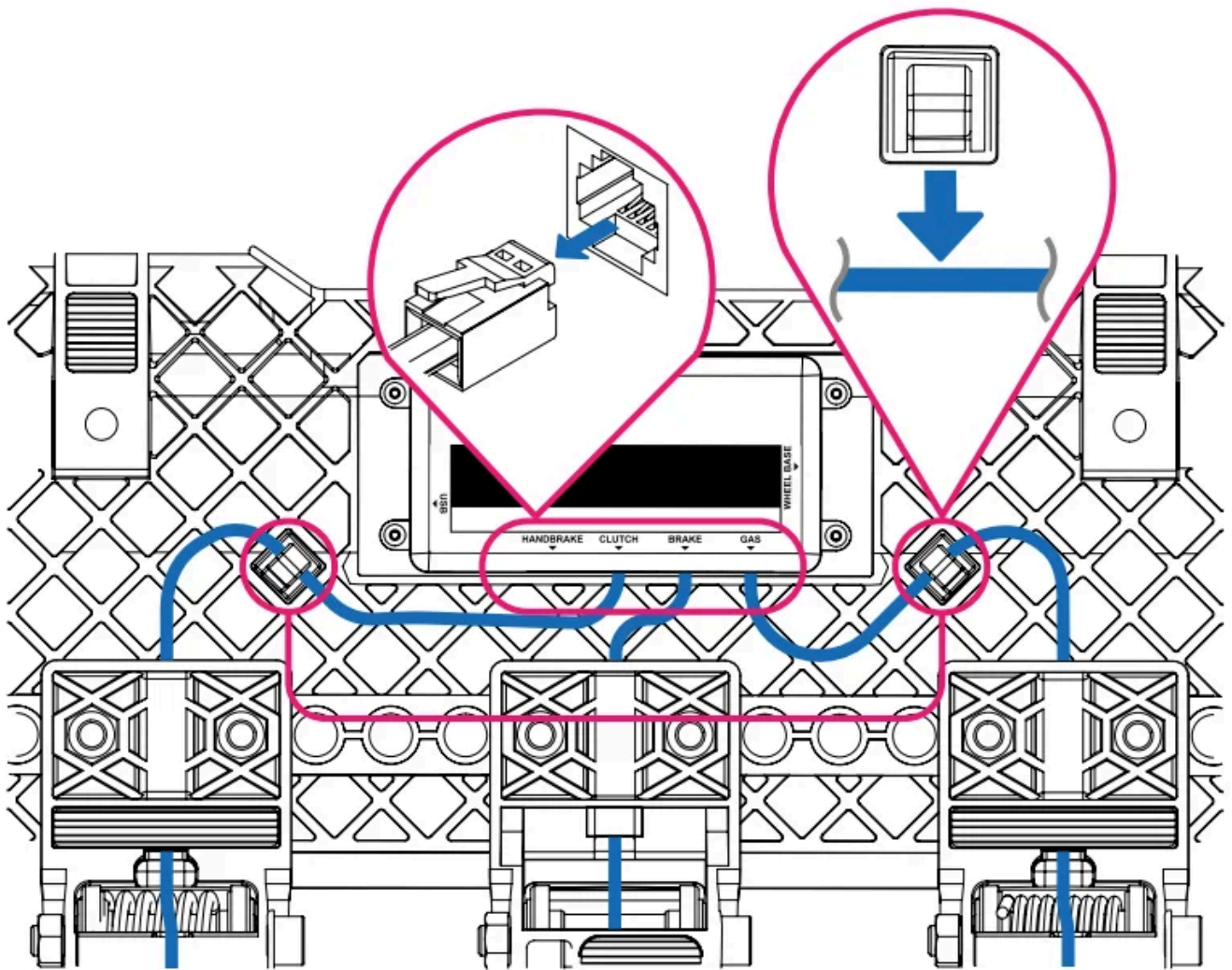
ATTENTION: See chapter 4.4 “Connections” for which type of add-on peripheral devices must be connected to which port of the CSL Pedals. Only use the included USB and RJ12 cables from your CSL Elite Pedals V2 package contents to avoid damage!

4.2 PEDAL MODULE ADJUSTMENT

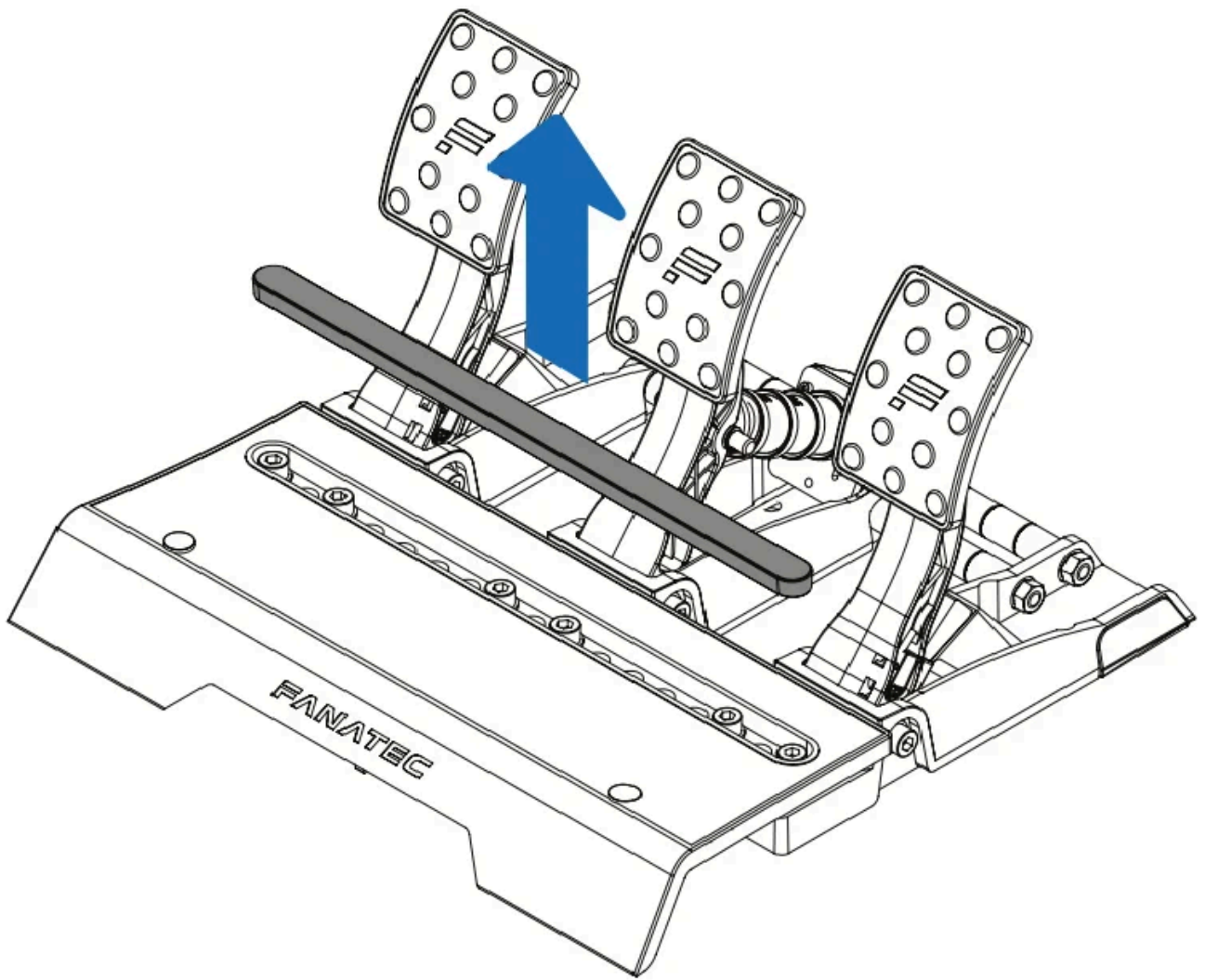


Tools required for adjusting the pedal units

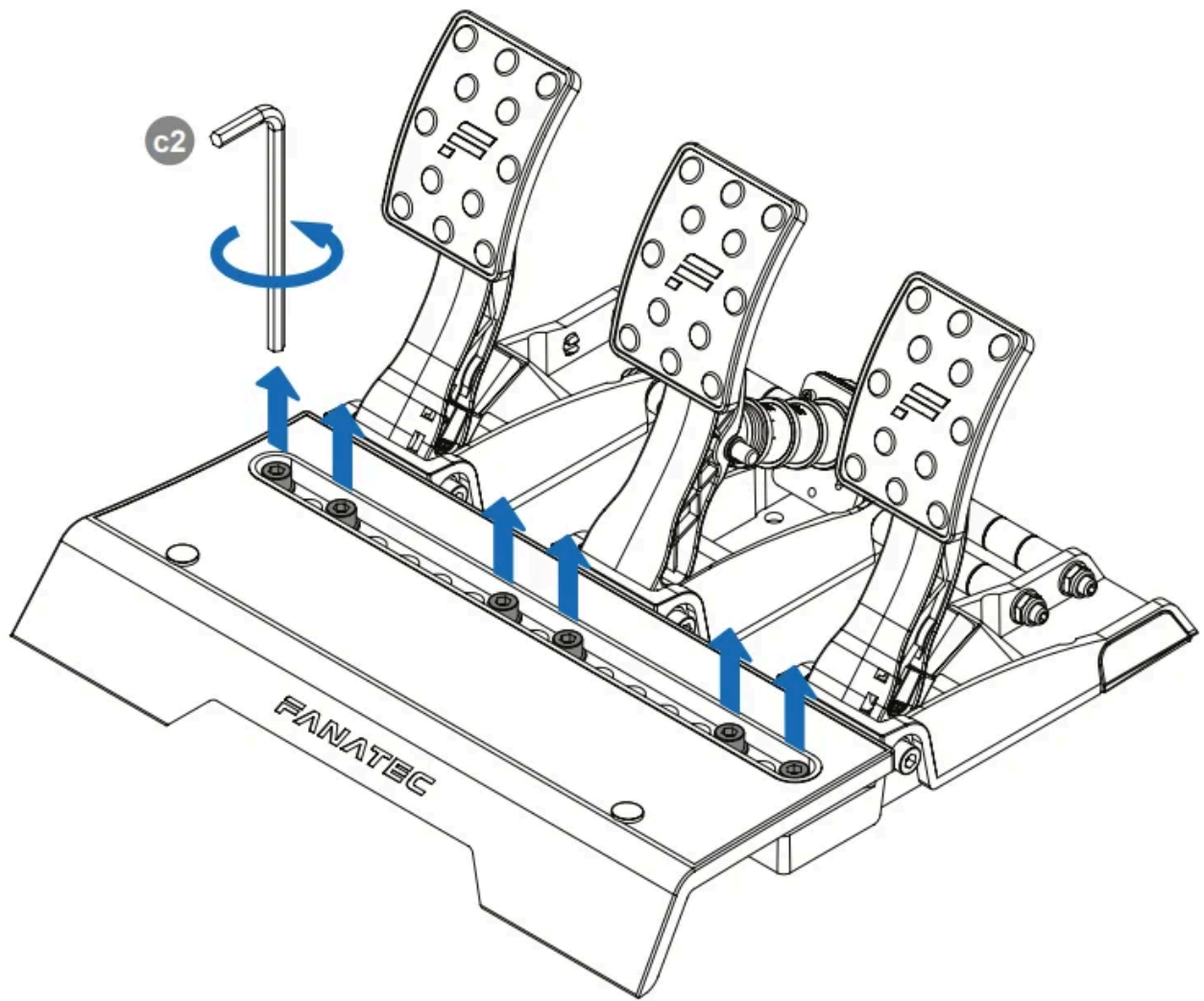
1 - Unplug all RJ12 connectors from the control unit and remove the cables from the clips as shown below.



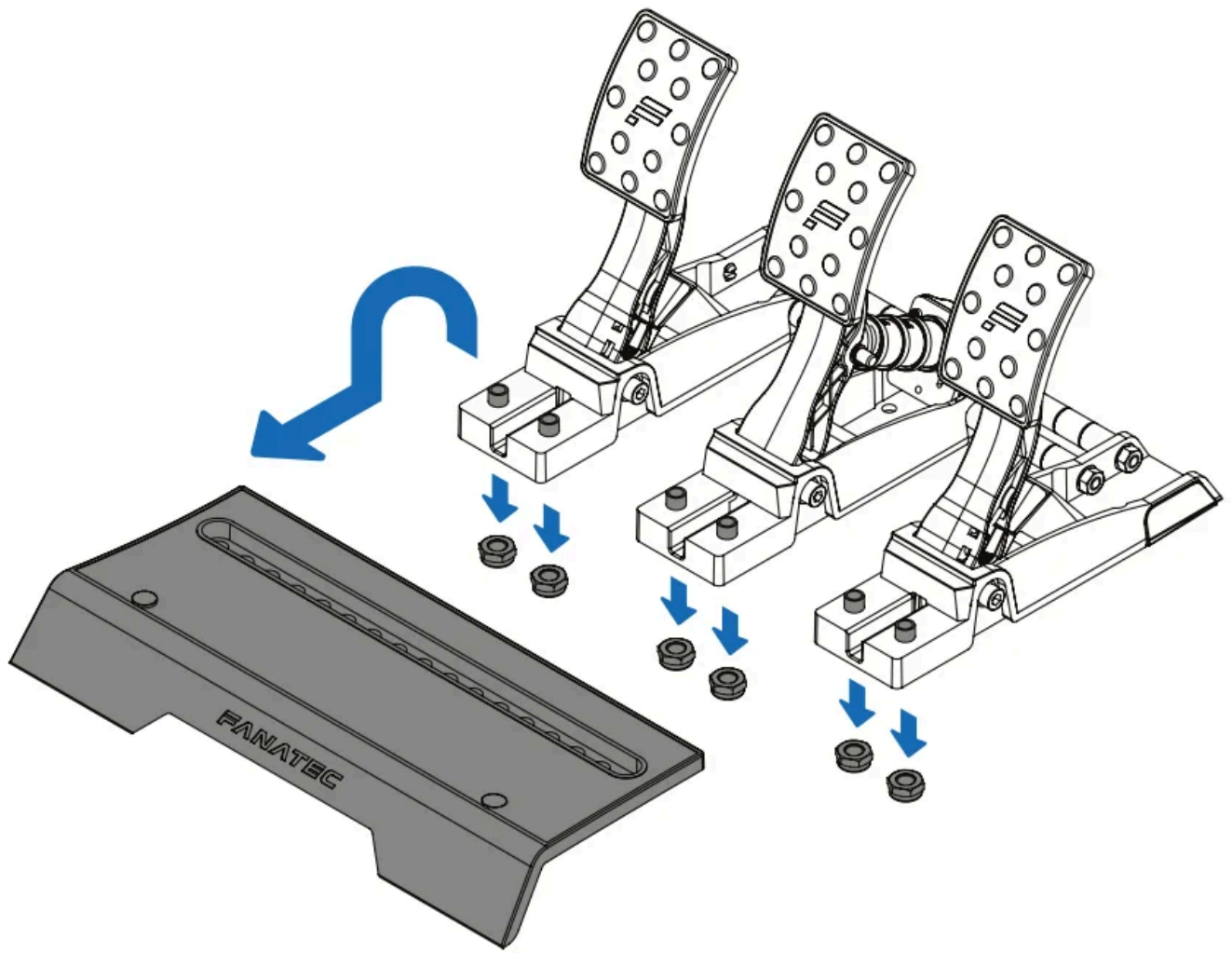
2 - Remove the rubber cover from the heel rest to access the bolts.



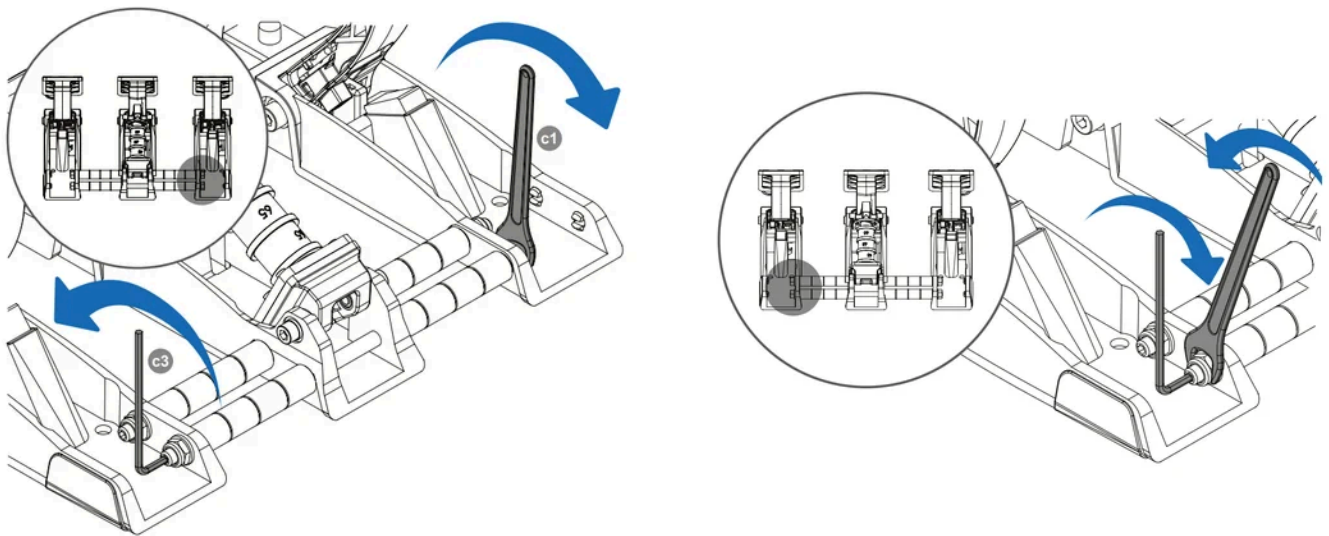
3 - Remove all bolts and washers using the required tool.



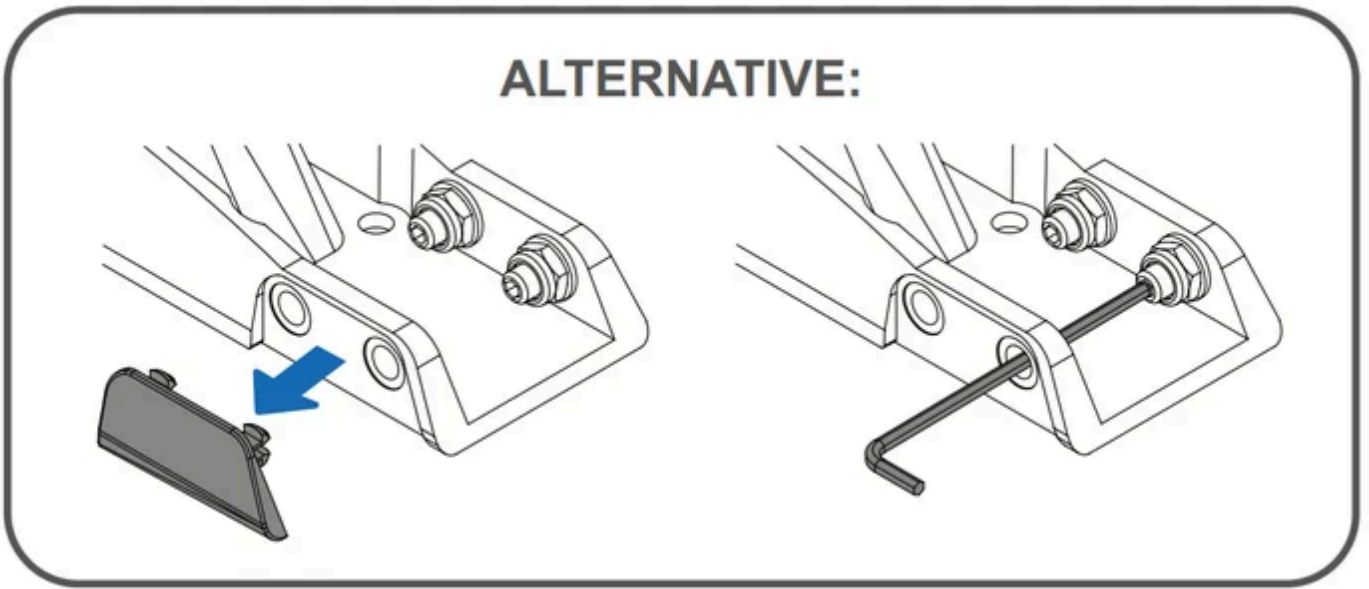
4 - Remove the heel rest from the pedal units. Remove all nuts.



5 - Unscrew all four nuts on the ends of both alignment rods.

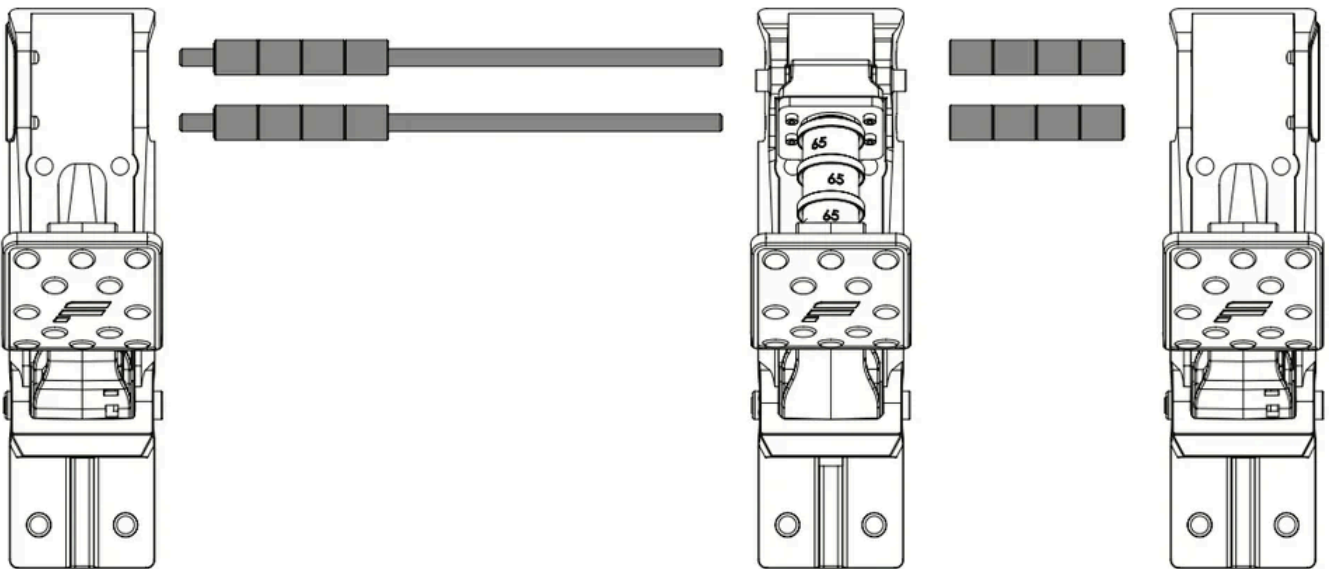


ALTERNATIVE:

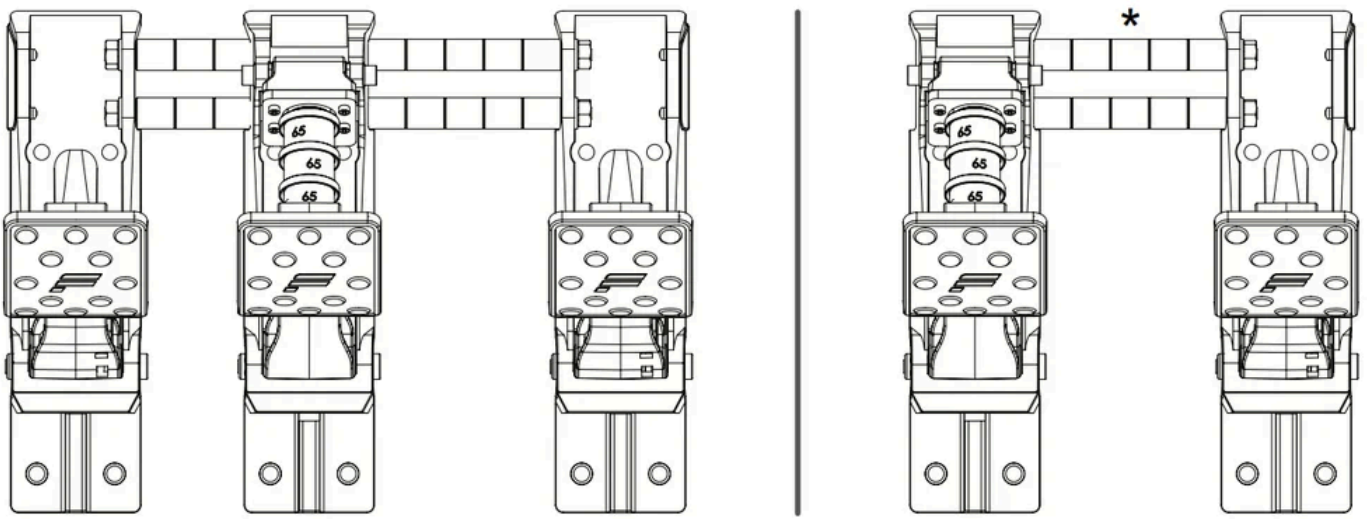


Alternative

6 - Remove the alignment rods and spacers from the pedal units.



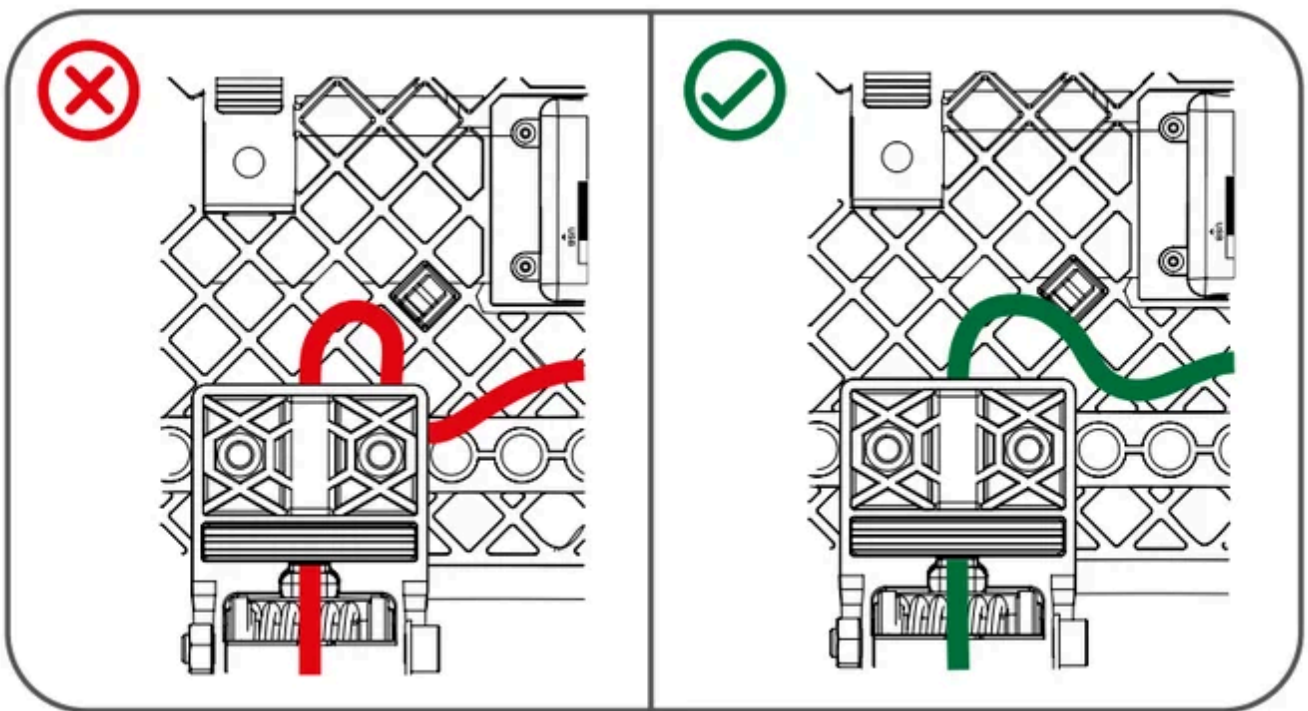
7 - Arrange the pedal unit distances or remove as preferred. Examples below:



* **NOTE:** Alignment rods are not required, but recommended.

8 - Reassemble the pedal set by reversing the previous steps.

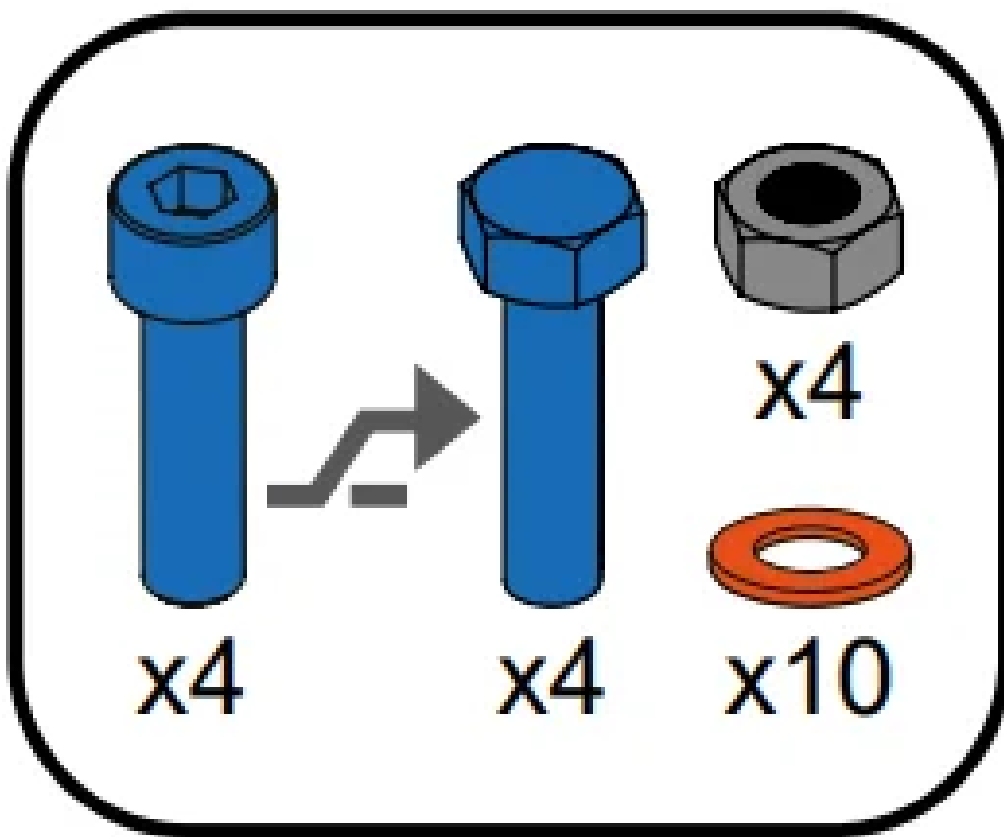
ATTENTION! Keep the connection cables clear when attaching the heel rest to the pedal units.



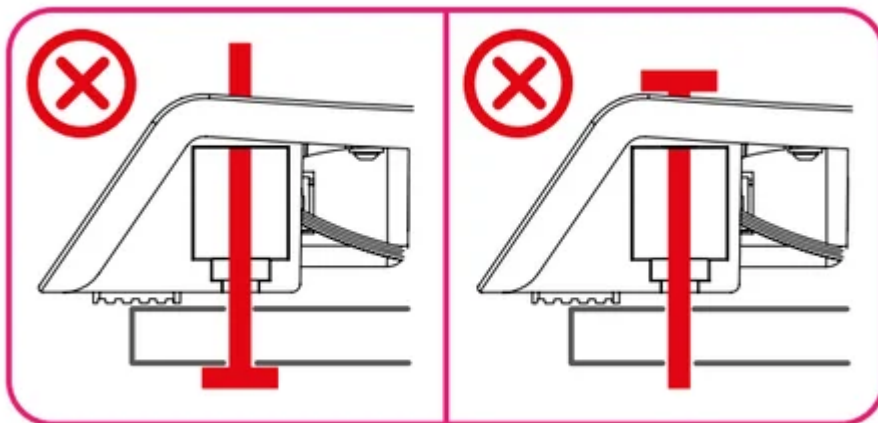
4.3 HARD-MOUNT

Required:

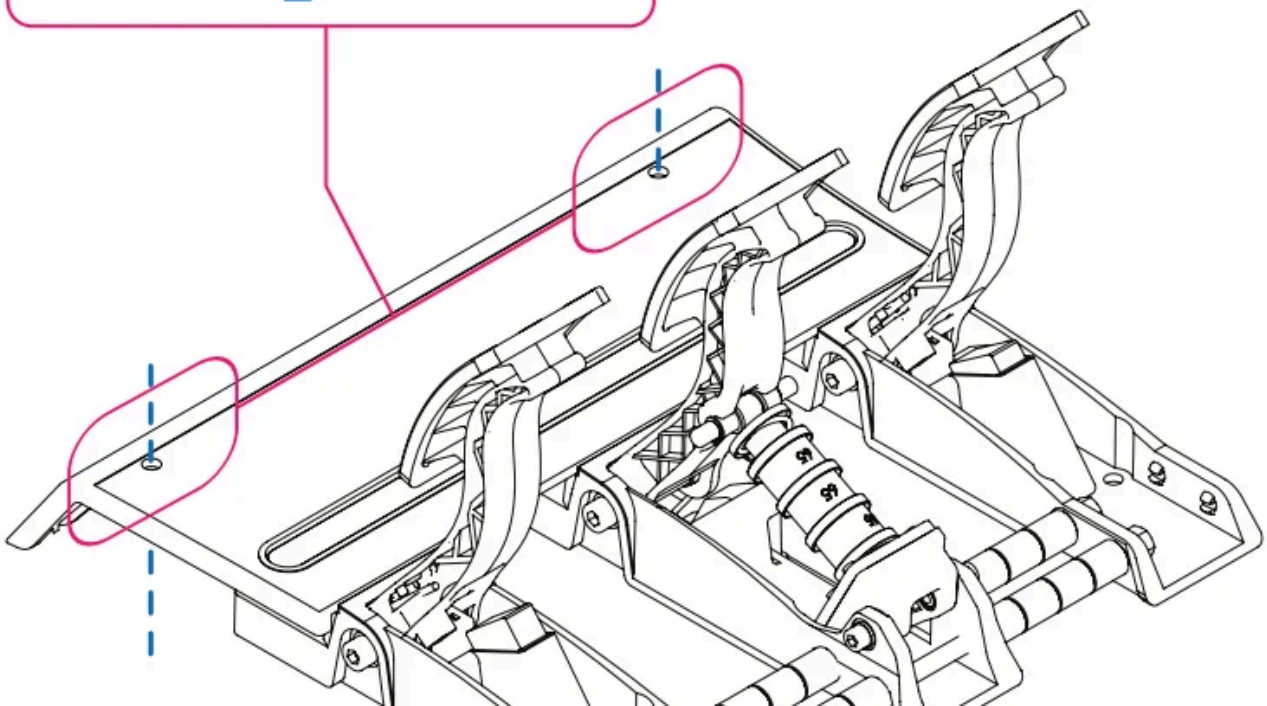
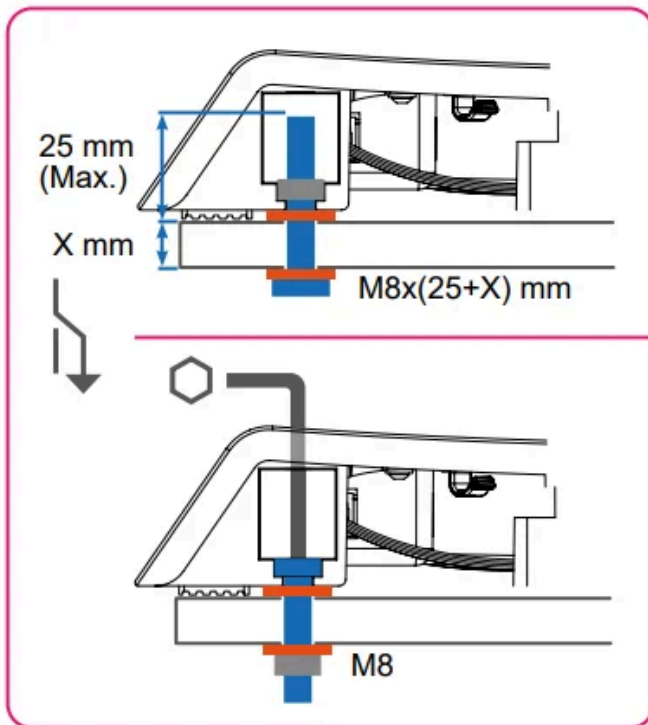
NOTE: 4x M8 bolts, 4x nuts, and 10x washers are required which are not included.



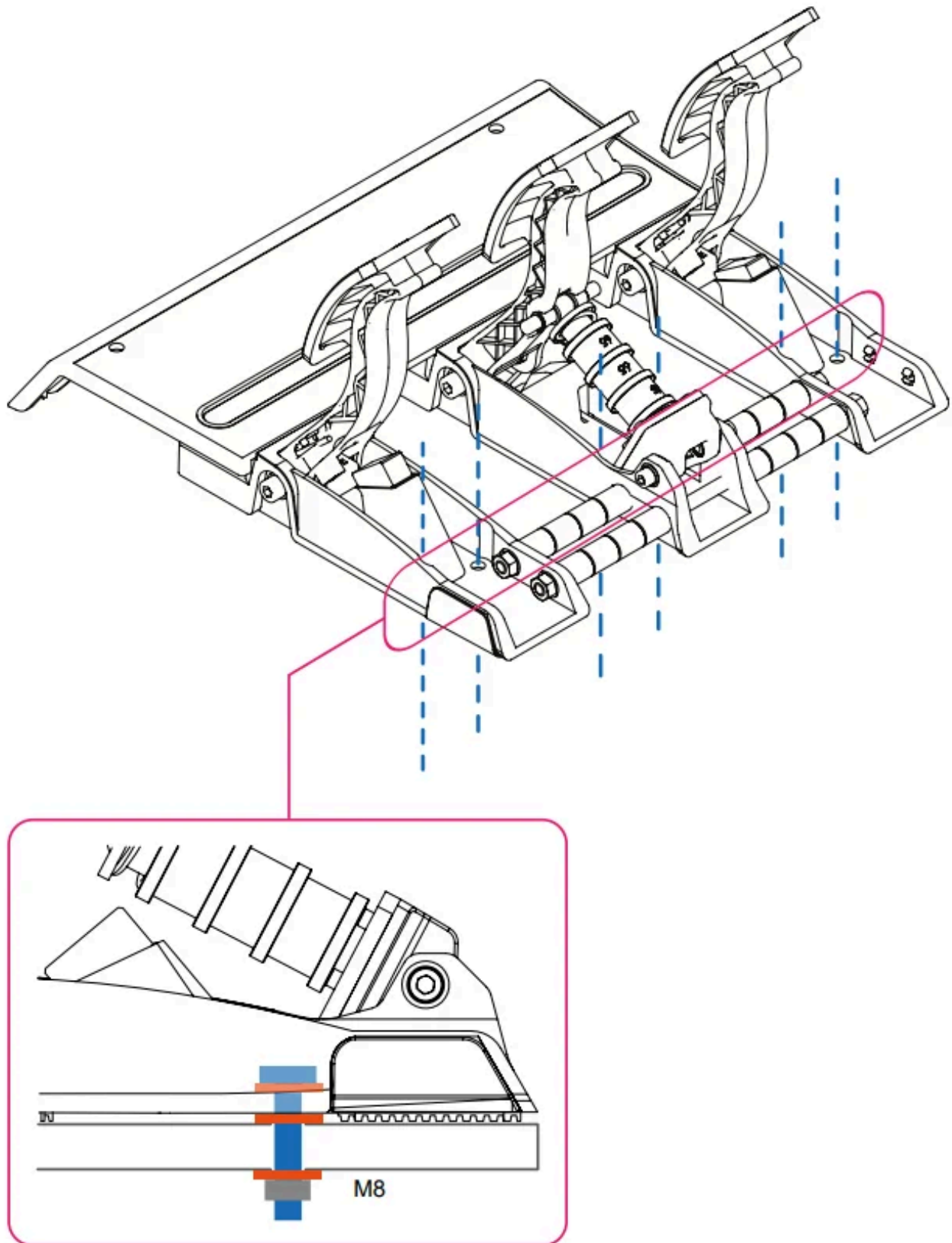
ATTENTION! Do not use the tool-access holes found on the heel rest as bolt-securing holes:



Front Mounting Points



Rear Mounting Points



4.4 DRILLING TEMPLATE

Below you will find the CSL Elite Pedals V2 drilling template.

Please note the images are shown from a **top view**.

When printing the Drilling Template at home, please make sure that the print size is 100% (file size = print size). Therefore "automatic page scaling" must be deactivated in the print dialog.

















The total height of the CSL Elite Pedals V2 is 225 mm.

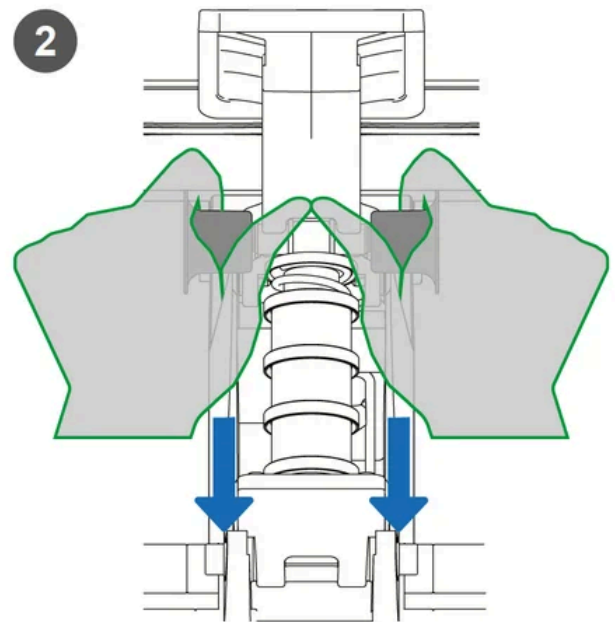
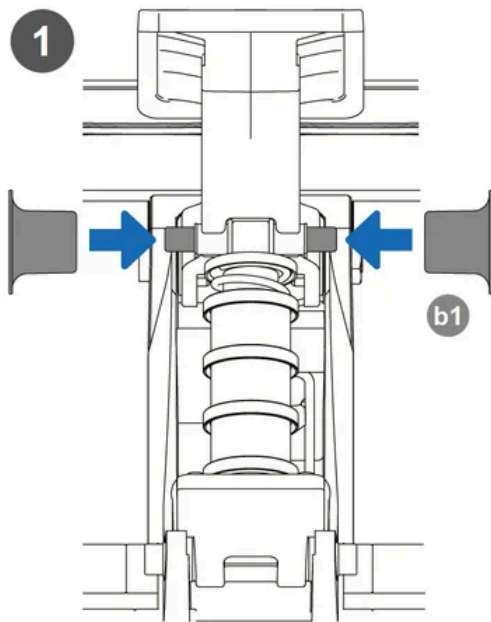
4.5 BRAKE TUNING OPTIONS

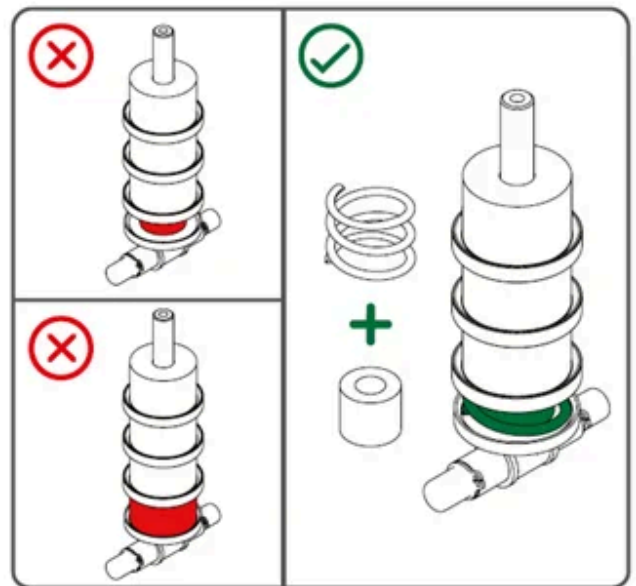
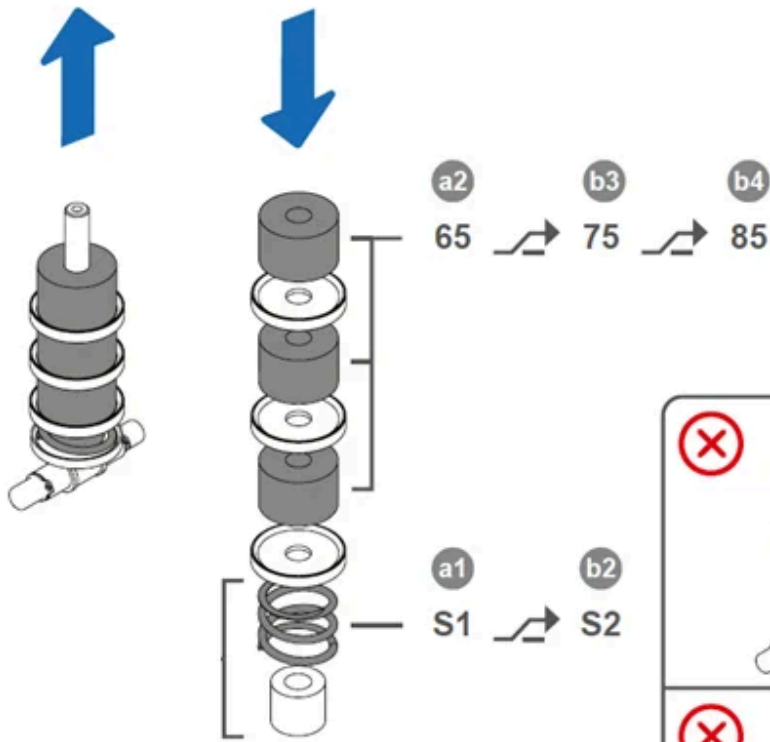
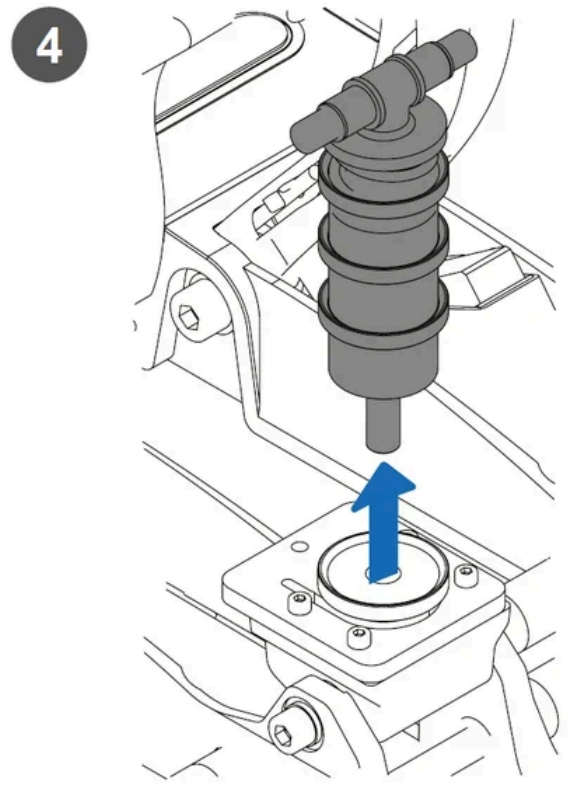
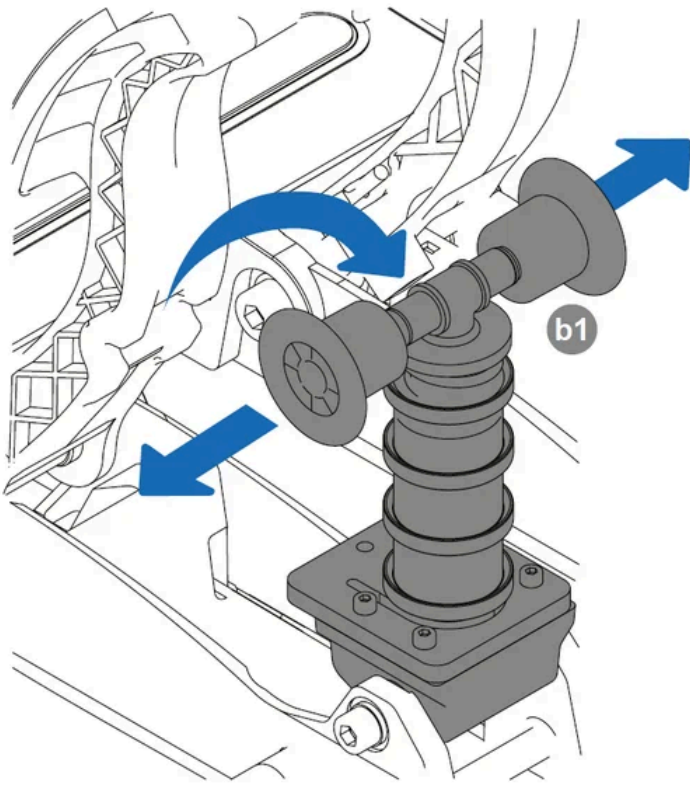
The CSL Elite Pedals V2 package includes all the necessary components for tuning the brake feel to your preferences. The table below provides information on what to expect from each elastomer combination and the conditions for use.

Follow the steps within this section to perform the brake tuning process.

NOTE: When mixing different Shore value elastomers, the conditions stipulated in the table for the lowest Shore value elastomer used must be adhered to.

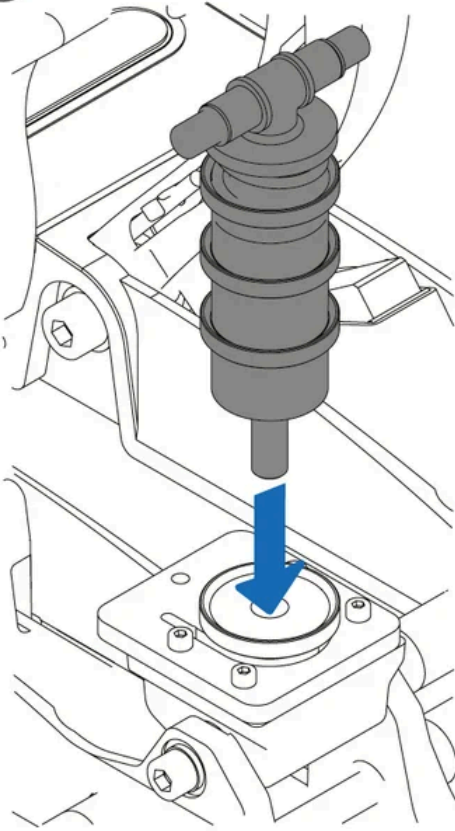
		 BRF		
Shore 65 	S1 	80 (max) ↓ Lo / Min	 	65 kg (max)
Shore 75 	S2 	Hi / Max ↓ Lo / Min	 	90 kg (max)
Shore 85 				



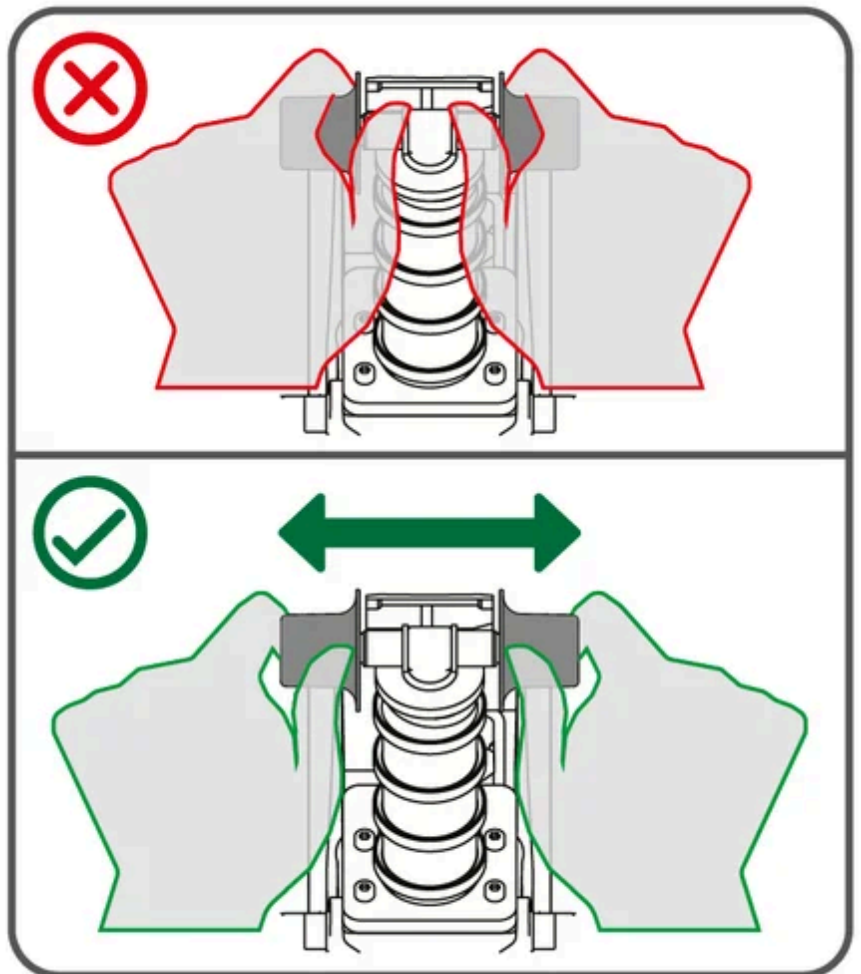
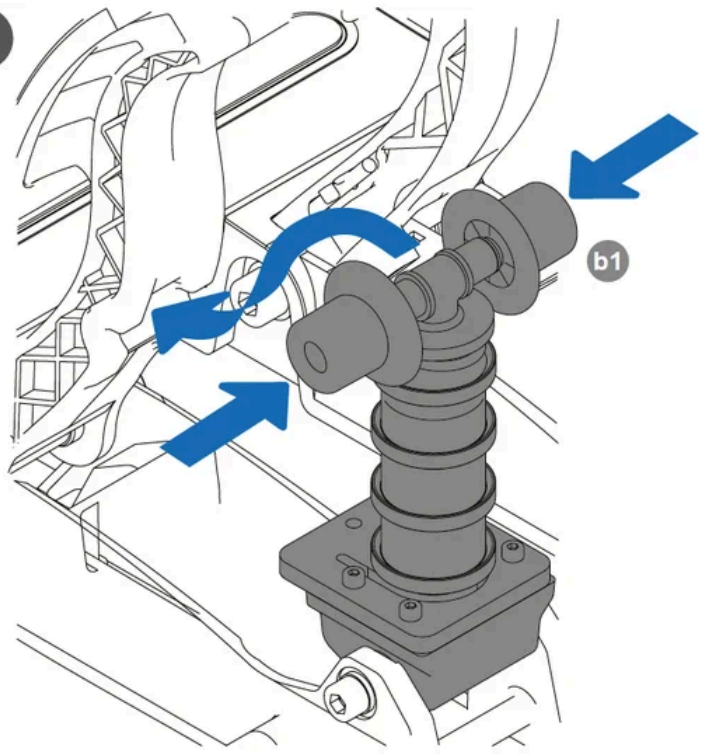


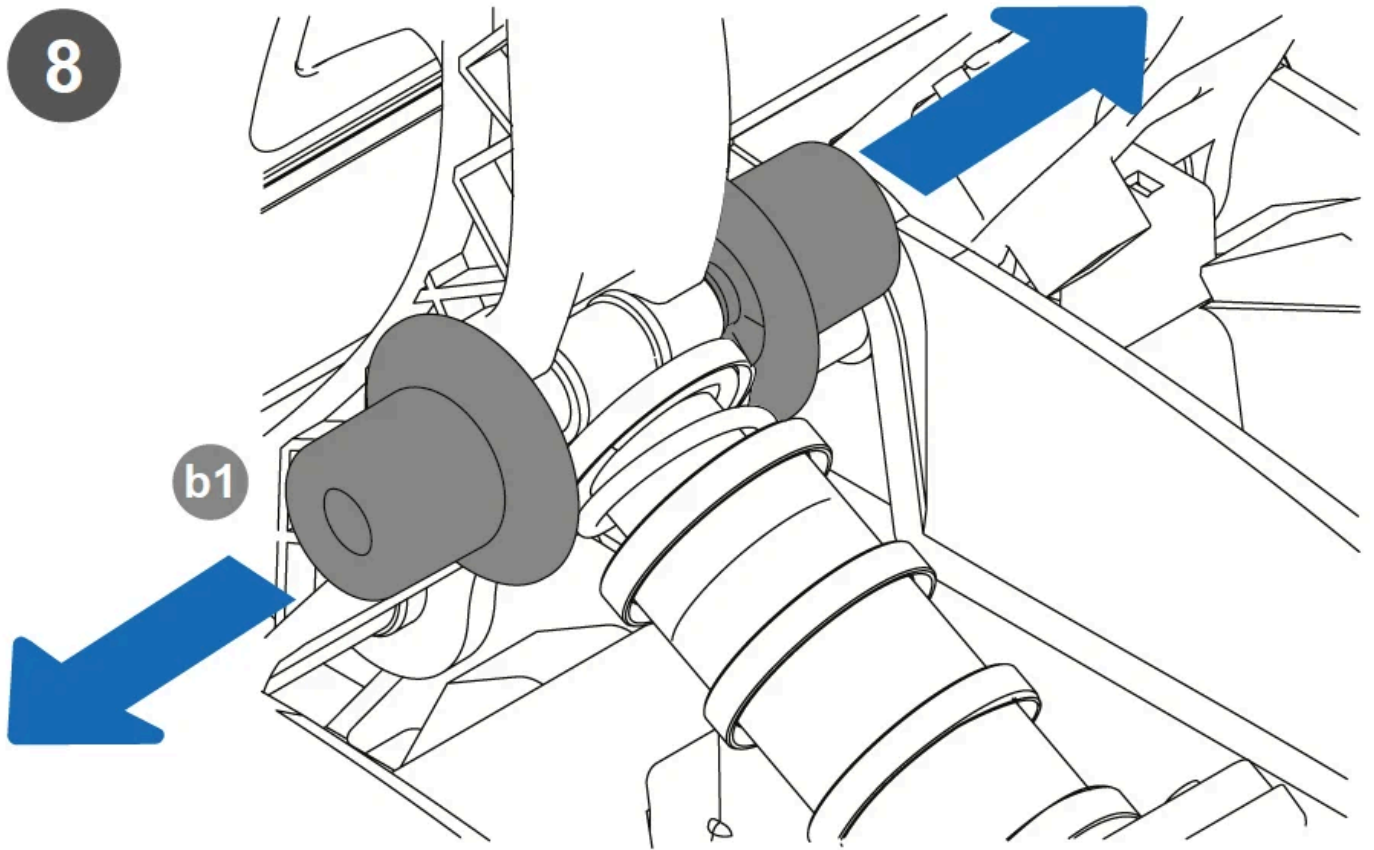
NOTE: Always use either the S1 or S2 spring in conjunction with the pre-load elastomer regardless of which configuration you decide on as shown in the box on the right.

6



7



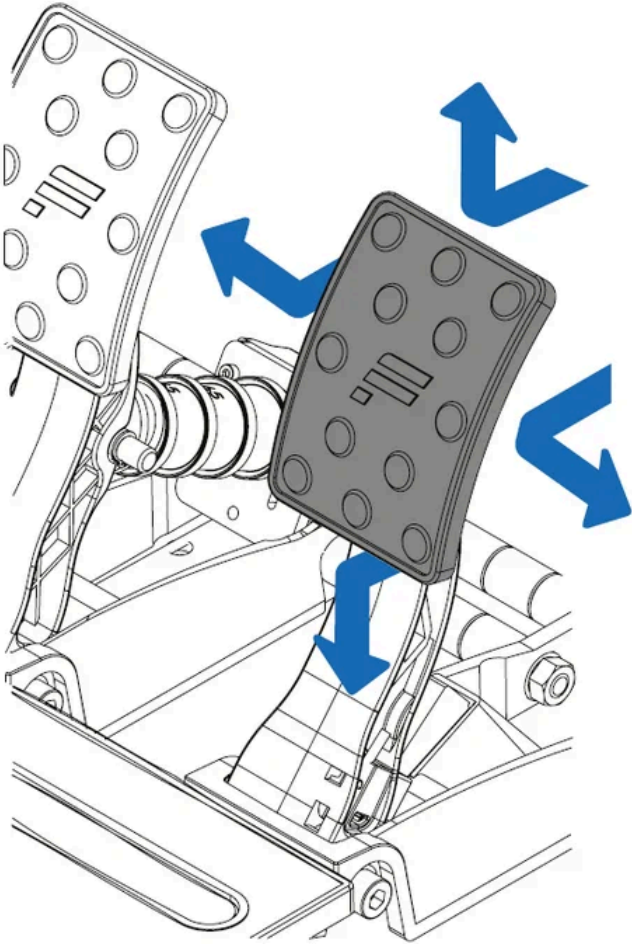


4.5 PEDAL PLATE COVERS

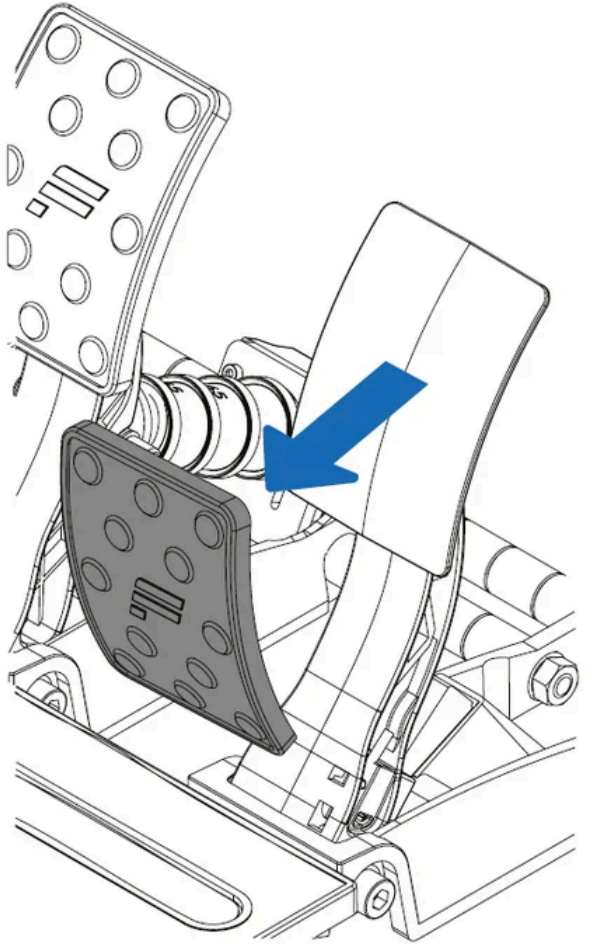
The CSL Elite Pedals V2 features removable pedal plate rubber covers.

ATTENTION! Do not use any tools to attach or detach the pedal plate rubber covers to avoid damages, scratches and / or cuts on the product parts! The rubber covers are designed for attaching and detaching without tools.

1

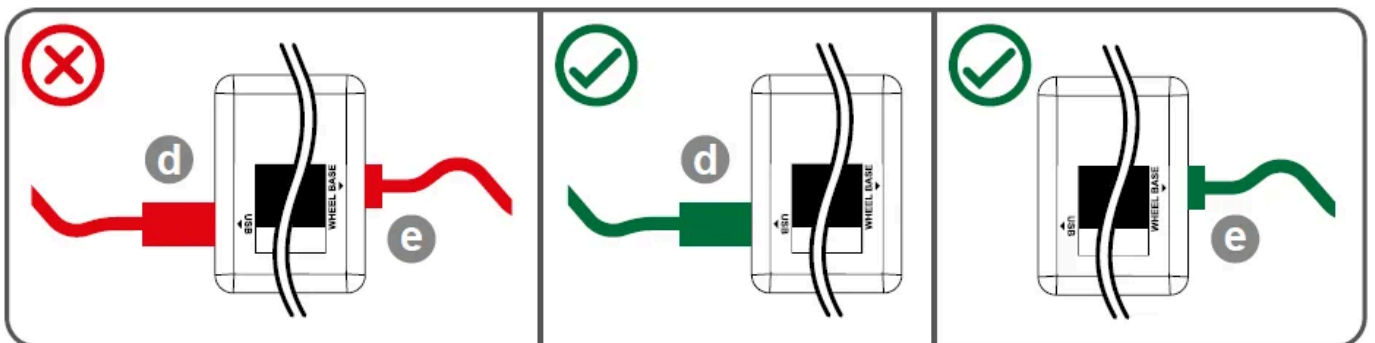


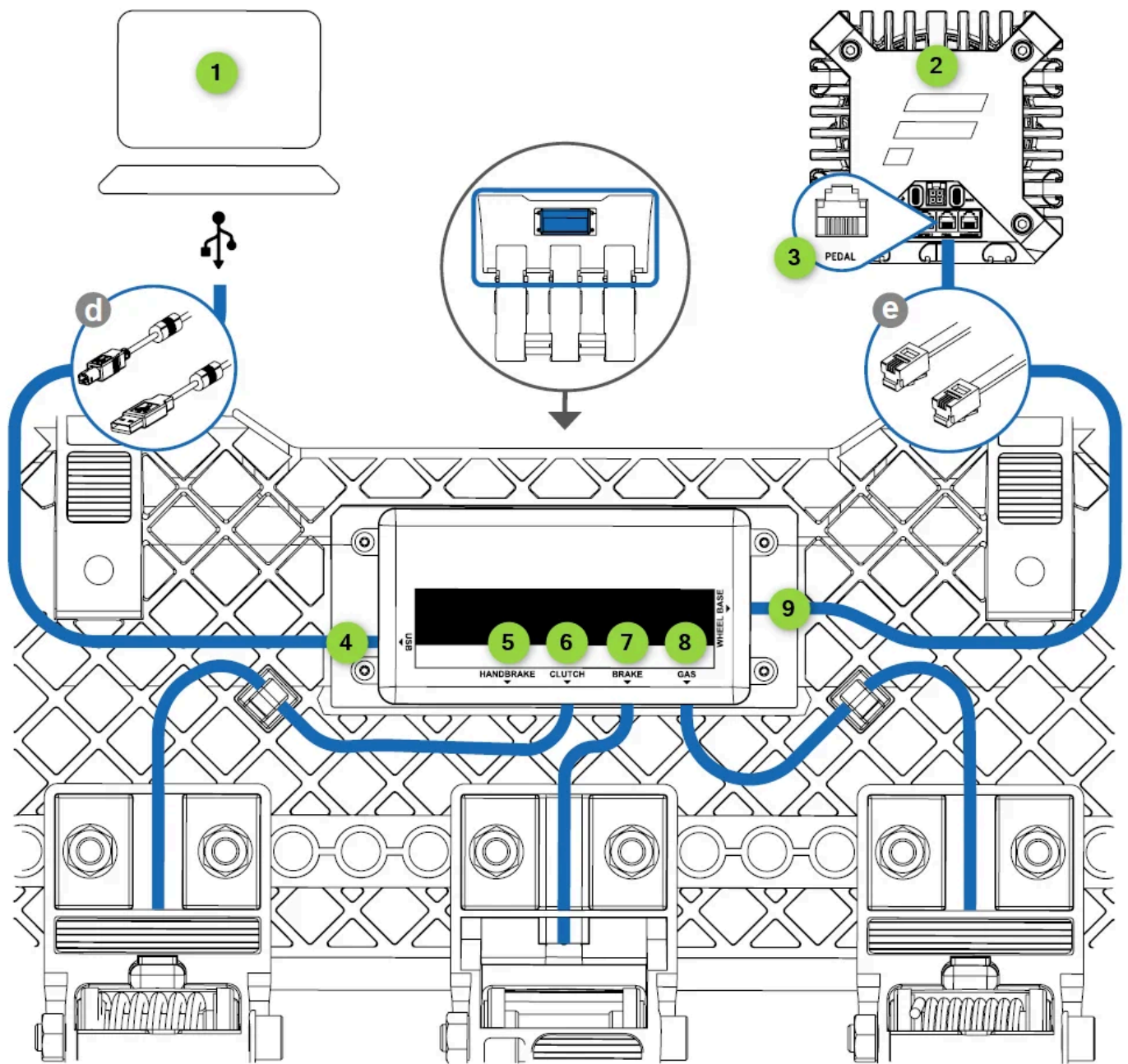
2



4.6 CONNECTIONS

ATTENTION! Do not connect the Pedals via RJ12 and USB at the same time!

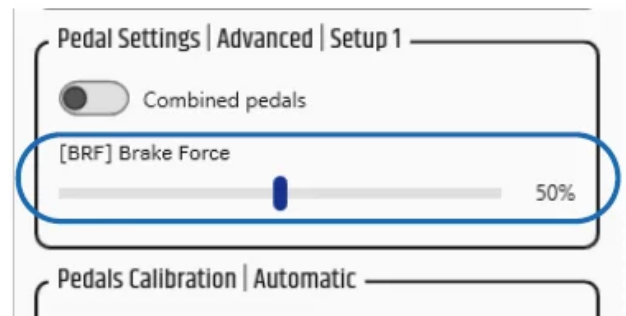
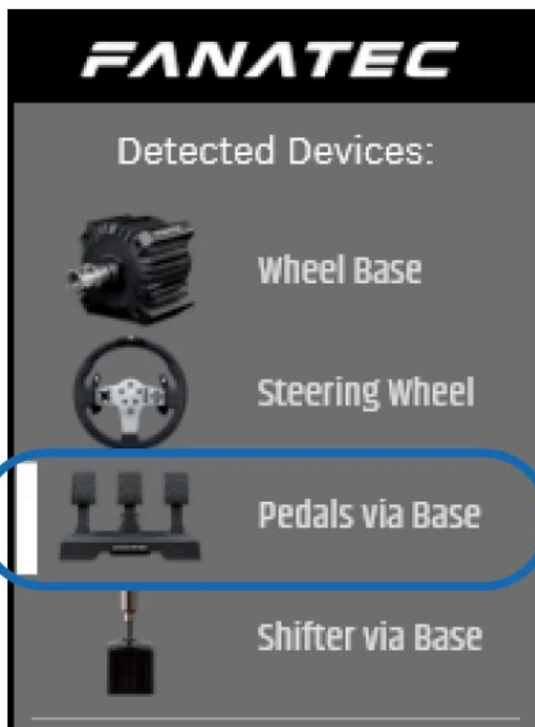




- 1 - Windows PC
- 2 - Wheel Base
- 3 - Handbrake
- 4 - USB
- 5 - Clutch
- 6 - Brake
- 7 - Gas
- 8 - Wheel Base

4.7 TUNING OPTIONS

After installing the Fanatec PC Driver (Fanatec Control Panel) open the Fanatec Control Panel, then navigate to 'Pedals' as shown on the right:



BRF (Brake Force)

BRF (Brake Force)

Lo --> 010 ... 100 --> Hi

BRF default: 050

Brake Force changes the force needed to reach 100% brake input for load cell brake pedals and is available when a pedal set featuring a load cell brake is connected to a wheel base via RJ12 or to a PC via USB. 'Lo' requires the least amount of brake pressure, 100 requires the most amount of brake pressure.

BRF can be accessed via the wheel base Tuning Menu as well when the pedals are connected via RJ12.

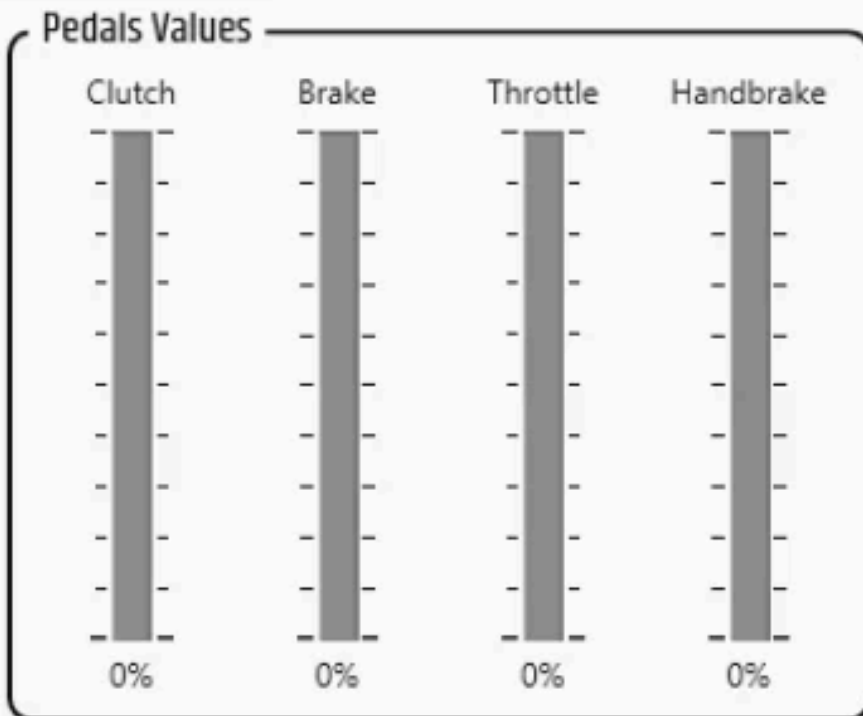
Automatic Mode

In 'Automatic Mode', the automatic calibration sets a new maximum for the throttle and clutch when each pedal is pressed beyond the default value and held for approximately 2 seconds.

Manual Mode

By enabling 'Manual Mode', the minimum and maximum values of each pedal can be manually set throughout the mechanical travel range of each pedal.

Example: Press the clutch pedal to the desired lower travel range for when you want the signal to start, then select 'Min'. Press the clutch pedal to the desired upper travel range for when you want the signal to reach 100%, then select 'Max'.



Pedal Settings | Advanced | Setup 1

Combined pedals

[BRF] Brake Force

50%

This section contains a toggle switch for 'Combined pedals' which is currently turned off. Below it is a slider for '[BRF] Brake Force' set to 50%.

Pedals Calibration | Manual

Enable CSL Elite Pedals V2 manual mode

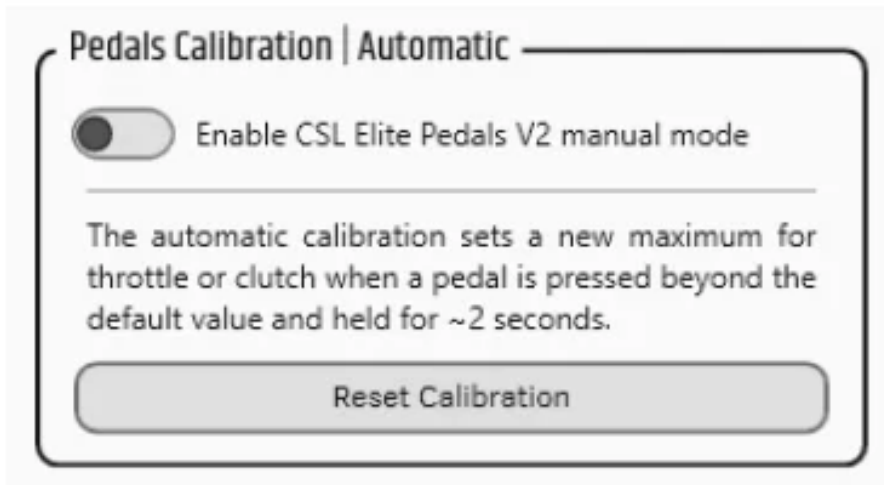
Clutch	Brake	Throttle	Handbrake
Max	BRF	Max	Max
Min	Min	Min	Min

This section features a toggle switch for 'Enable CSL Elite Pedals V2 manual mode' which is currently turned on. Below the toggle is a table of calibration options for each pedal.

NOTE: For 'Min' values there should always be a minimum force applied that is at least equal to the weight your foot resting on the pedal plate. Not doing so may result in ghost inputs.

BRF (Brake Force) acts as the maximum value setting for the load cell brake and is accessible via the wheel base Tuning Menu as well. The brake 'Min' and 'Max' / 'Min' options for the other pedals are only accessible via the Fanatec Control Panel.

Reset Calibration



By selecting 'Reset Calibration', the minimum and maximum values of each pedal will be reset to the default values.

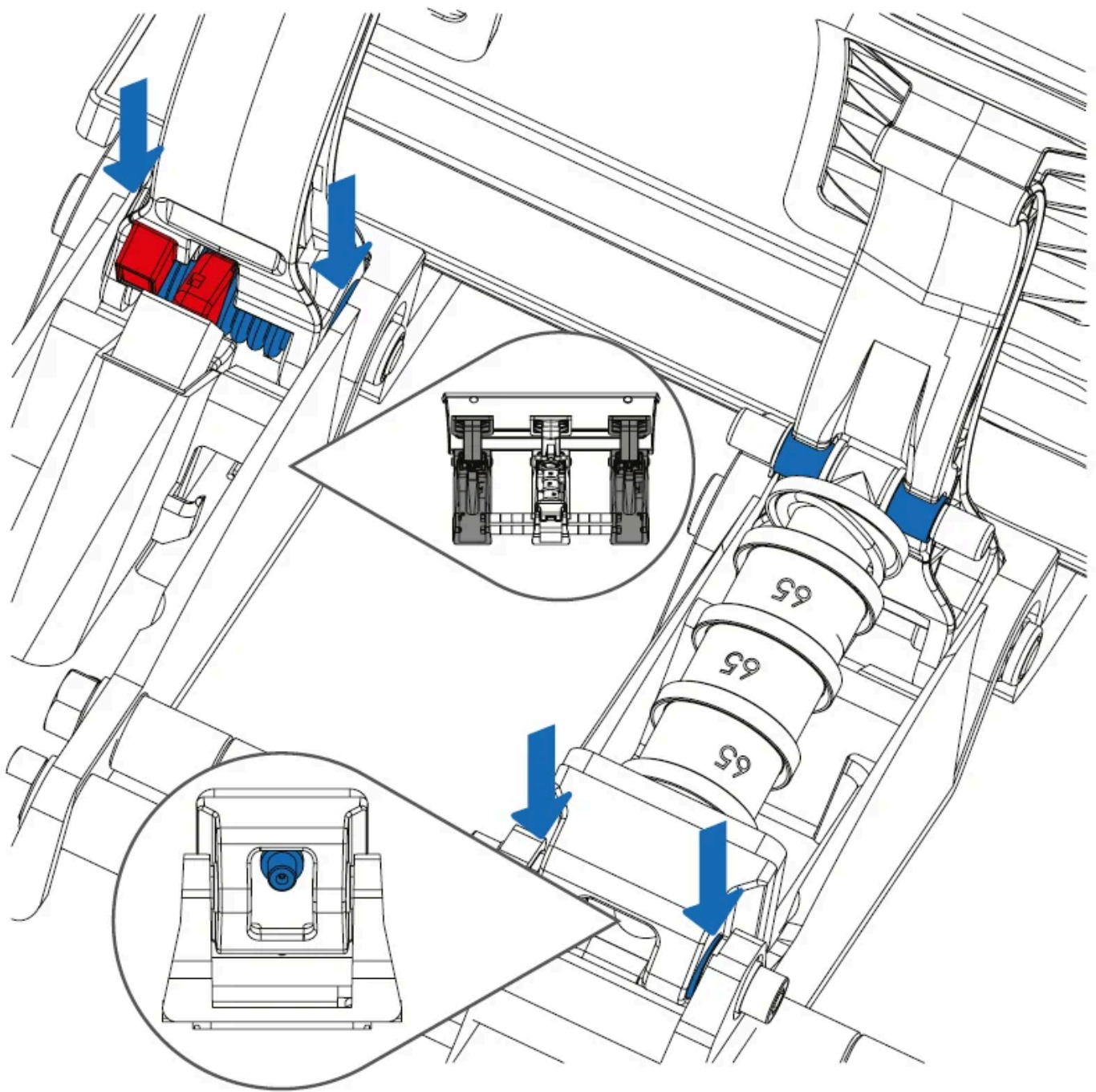
NOTE: Do not press the pedals during a reset.

5 - CLEANING AND MAINTENANCE

Clean only with a dry or slightly damp microfibre cloth. Using cleaning solutions may damage your CSL Elite Pedals V2.

The appropriate parts of the CSL Elite Pedals V2 are well lubricated out-of-the-box. Should you feel or hear grinding as a result of extensive usage over time, apply lithium grease to the parts highlighted in BLUE below.

ATTENTION: Do not apply any form of lubricant to the parts highlighted in RED below.



6 - TROUBLESHOOTING

The CSL Elite Pedals V2 must not be modified in any way, other than what is explicitly described in this manual. Endor® AG expressly prohibits analysis and utilisation of the electronics, hardware, software, and firmware contained in this device. In case difficulties occur when using your CSL Elite Pedals V2, please use the following troubleshooting guide. You will find further details and contact information on : <https://help.fanatec.com/hc/> .

If the CSL Elite Pedals V2 are not working properly:

Problem Description	Solution
The PC driver or the wheel base does not recognise the CSL Elite Pedals V2.	Ensure that you have updated your wheel base and CSL Elite Pedals V2 firmware to the latest firmware version contained within the latest PC driver which can be downloaded from https://www.fanatec.com/s/download-apps-driver
	Ensure that you are using the RJ12 cable included with your CSL Elite Pedals V2 package.
	Ensure that the RJ12 cables are plugged in the correct ports of the CSL Elite Pedals V2 and the correct port of the wheel base. See section 4.6 'Connections'
	Ensure that the RJ12 and USB cables are plugged in simultaneously. See section 4.6 'Connections'
After performing a firmware update of the CSL Elite Pedals V2, the manually calibrated pedal positions are reset.	After performing a firmware update of the CSL Elite Pedals V2, the manually calibrated pedal positions have to be manually calibrated again. See section 4.7 'Tuning Options', 'Manual Mode'
Pedal signal of the CSL Elite Pedals V2 in-game behaviour feels incorrect.	Connect the CSL Elite Pedals V2 to a PC or a wheel base. Start the Fanatec Control Panel and check the indicator bars of each pedal while pressing each corresponding pedal. You may need to do a manual calibration of minimum and/ or maximum positions or reselect '...Manual Mode' to adjust the pedal signal behaviour as desired.
After startup the CSL Elite Pedals V2 pedal signals are not correctly indicated; behaviour can be verified in the Fanatec Control Panel.	When powering ON the CSL Elite Pedals V2 without 'Manual Mode' selected, every pedal lever must first be pressed to the maximum position and then back to the minimum position. This completes the auto-calibration. See section 4.7 "Tuning Options", "Manual Mode"
Your PC does not boot when the CSL Elite Pedals V2 is connected via USB before Windows has booted.	This phenomenon is related to some main board manufacturers' BIOS. In this case, it is required to boot the PC first and then connect the CSL Elite Pedals V2 via USB.
How can I get in contact with Fanatec customer support?	You can create a Support Ticket via the 'My Products' section of your Fanatec account at Fanatec.com

7 - VIDEO MANUAL

For further support, please watch our [CSL Elite Pedals V2 video manual](#):

8 - SERIAL NUMBER

Before contacting Fanatec® Customer Support please note the serial number of your CSL Elite Pedals V2:

CSL Elite Pedals V2:

The serial number is located at the bottom of the gas pedal unit.

The serial number of the CSL Elite Pedals V2 starts with letters 'SU' and has additional 8 numbers, for example: **SU122000370**.

9 - PRODUCT RECYCLING

Please follow your local regulations when disposing of this product as e-waste.